

Toldbod 290 Post

The light is directed 100% downwards and the shade has a matt white painted interior emitting a soft, diffused, comfortable light.



Tsudanuma
Station South
Area Town
Development



Dansk Metal

Product info

Environmental Product Specification

This product is compliant with the requirements contained in the European Directives, RoHS Directive 2011/65 and 2015/863. This product is designed so that 100% of the product can be disassembled and reused.

Information

Fixture heads without pole are available for \varnothing 48mm or \varnothing 60mm poles. For fixture complete with \varnothing 60mm pole: choose "for \varnothing 48mm pole" (pole stub); outer pole dimension is \varnothing 60mm. Please note that for the aluminium coloured version both the pole top, arm and the pole itself are galvanised. Galvanised surfaces will oxidise and form a thin zinc-oxide layer on the surface over time. This can result in an inconsistent surface finish during oxidation. This process might have begun already during stocking/transportation. The formed zinc-oxide layer protects the galvanizing against additional corrosion. All variants available with Zhaga socket for Smart City compatibility. Including CLO and night time dimming options. LED Upgrade Kit available for updating conventional variants to LED variants. Please contact Louis Poulsen for 2700K.

Mounting

Pole dimension: \varnothing 48mm or \varnothing 60mm. Installation cable: 3,5m 2x1mm² (-DPC Cl.II), 3,5m 3x1mm² (-DPC Cl.I), 3,5m 4x1mm² (-DAC Cl.II), 3,5m 5x1mm² (-DAC Cl.I). Driver: In fixture head.

Finish

Aluminium coloured with textured surface or black with textured surface, powder coated.

Materials

Fixture head: Die cast aluminium. Shield: Injection moulded clear polycarbonate. Pole top: Galvanized, steel.

Sizes and weights

Width x Height x Length (mm) | 290 x 300 x 475 Max 10.7 kg

Class

Ingress protection IP65. Electric shock protection I w. ground, II w/o ground. IK08.

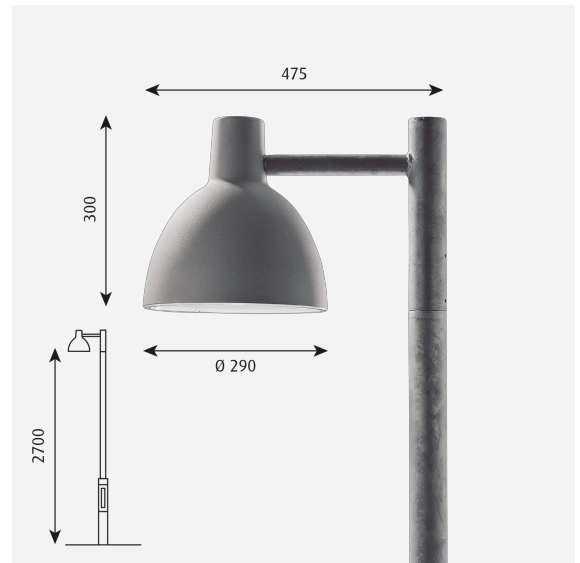
Light source

LED 3000K 20W
Lumen: 1928

Information

Fixture heads without pole are available for \varnothing 48mm or \varnothing 60mm poles. For fixture complete with \varnothing 60mm pole: choose "for \varnothing 48mm pole" (pole stub); outer pole dimension is \varnothing 60mm. Please note that for the aluminium coloured version both the pole top, arm and the pole itself are galvanised. Galvanised surfaces will oxidise and form a thin zinc-oxide layer on the surface over time. This can result in an inconsistent surface finish during oxidation. This process might have begun already during stocking/transportation. The formed zinc-oxide layer protects the galvanizing against additional corrosion. All variants available with Zhaga socket for Smart City compatibility. Including CLO and night time dimming options. LED Upgrade Kit available for updating conventional variants to LED variants.

Please contact Louis Poulsen for 2700K.



Product family



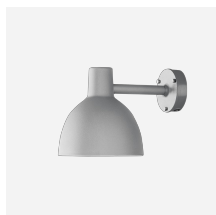
Toldbod 290 LED Upgrade Kit



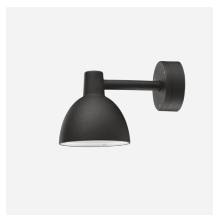
Toldbod Pendant



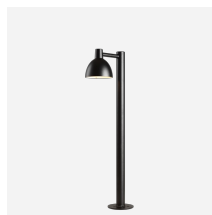
Toldbod 155/220 Glass
Pendant



Toldbod 220/290 Wall



Toldbod 155 Wall



Toldbod 155 Bollard

Product variants

Colour	Mounting	Arm type	Light source	Lumen	Class	Lighting control
<input type="radio"/> Aluminium colour texture	Ø 48 pole	GALVANIZED	LED 3000K 20W	1928	I	Dac: dali + clo
<input checked="" type="radio"/> Black texture	Ø 60 pole	PAINTED	LED 4000K 20W	1988	II	Dpc: nightdim + clo Sr zhaga ct clo hi

Design

Louis Poulsen A/S

Weight

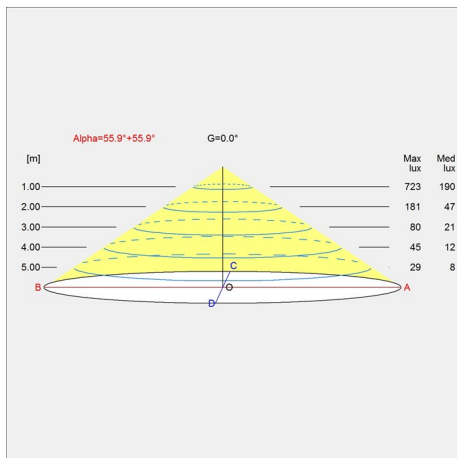
Min: 10.302 kg Max: 8.659 kg

Finish

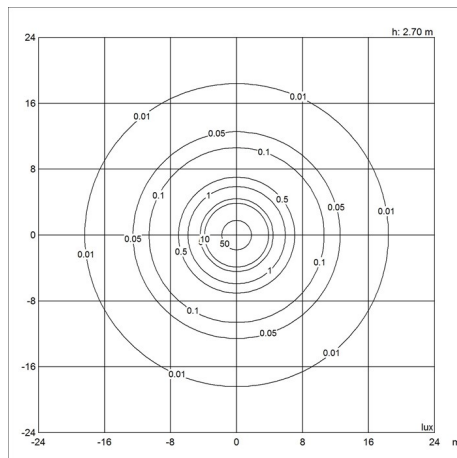
Aluminium colour texture, Black texture

Light distribution diagrams

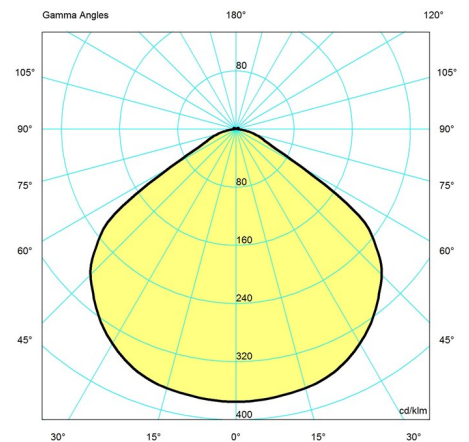
Cartesian



Isolux



Polar



Spare parts & accessories

Product	Variant number
TOLDBOD POLE, H2700 Ø60/Ø48 HATCH, GALV	5710500112
TOLDBOD POLE 2700/CC160 60/48 HATCH GALV	5747826827
TOLDBOD POLE, H2700 Ø60/Ø48 HATCH, BLACK	5747827033
TOLDB POLE H2700/CC160 Ø60/48 HATCH BLK	5747827046
Toldbod 290 diffuser	5747305050

