

LP Xperi

The fixture provides direct downward illumination and is self-illuminating. The fixture is available in two variants – round symmetrical and asymmetrical light distribution.



Christian Flindt

Christian Flindt (1972-) graduated with an MAA and MDD from Aarhus School of Architecture in 2002. He then started his own design company in 2003. Here, he placed high emphasis on communication between people, and his focus on this area finds expression in his approach to re-evaluating furniture.



Product info

Environmental Product Specification

This product is compliant with the requirements contained in the European Directives, RoHS Directive 2011/65 and 2015/863. This product is designed so that 100% of the product can be disassembled and reused.

Information

Surge protection device (SPD) not included, but available on request. LED replacement kit available. Dimming options: DALI, CLO, and night time dimming (default setting: 50% power in 8 hours). All variants available with Zhaga socket for Smart City compatibility. Including CLO and night time dimming options. Please contact Louis Poulsen for 2700K and more info about supported Light Management Systems.

Mounting

Pole dimension: Ø 60mm or Ø 76mm. Transition piece available for pole Ø 115mm. Installation cable: 9m 5x1,5mm² DAC (Class I), 9m 4x1,5mm² DAC (Class II), 9m 3x1,5mm² DPC (Class I), 9m 4x1,5mm² DPC (Class II). Terminal block: 1x5x2.5mm² (Class I) or 1x4x2.5mm² (Class II). Terminal block positioning: In fixture head. LED Driver: In fixture head.

Finish

Aluminium coloured with textured surface, powder coated.

Materials

Lower shade: Injection moulded clear polycarbonate. Housing die-cast aluminium.

Sizes and weights

Width x Height x Length (mm) | 350 x 105 x 756 Max 10.4 kg | 350 x 105 x 863 Max 12.0 kg

Class

Electric shock protection I w. ground, II w/o ground. IK class 10. IP class 66.

Light source

LED 3000K 33W
Lumen: 3702

Information

Surge protection device (SPD) not included, but available on request. LED replacement kit available. Dimming options: DALI, CLO, and night time dimming (default setting: 50% power in 8 hours). All variants available with Zhaga socket for Smart City compatibility. Including CLO and night time dimming options. Please contact Louis Poulsen for 2700K and more info about supported Light Management Systems.



Product variants

| Mounting | Light source | Lumen | Class | Light technique | Lighting control |
|--------------|---------------|-------|-------|-----------------|------------------------|
| Ø 60 pole | LED 3000K 33W | 3567 | I | ASY2 | Hi dac: dali + clo |
| Ø 76 pole | LED 3000K 66W | 3625 | II | ASY2 NO UPLIGHT | Hi dpc: nightdim + clo |
| Side-mounted | LED 4000K 33W | 3643 | | ASYD | Li dac: dali + clo |
| | | 3653 | | ASYD NO UPLIGHT | Li dpc: nightdim + clo |
| | LED 4000K 66W | 3690 | | ASYT3 | Sr zhaga ct clo hi |
| | | 3702 | | ASYT3-NUP | |
| | | 3723 | | | |
| | | 3750 | | | |
| | | 3769 | | | |
| | | 3779 | | | |
| | | 3830 | | | |
| | | 6472 | | | |
| | | 6512 | | | |
| | | 6563 | | | |
| | | 6566 | | | |
| | | 6603 | | | |
| | | 6709 | | | |
| 6737 | | | | | |
| 6742 | | | | | |
| 6790 | | | | | |
| 6793 | | | | | |
| 6832 | | | | | |
| 6942 | | | | | |
| 6975 | | | | | |

Design

Christian Flindt

Weight

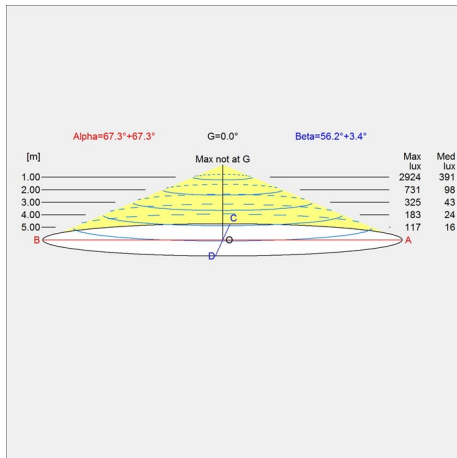
Min: 10.046 kg Max: 9.92 kg

Finish

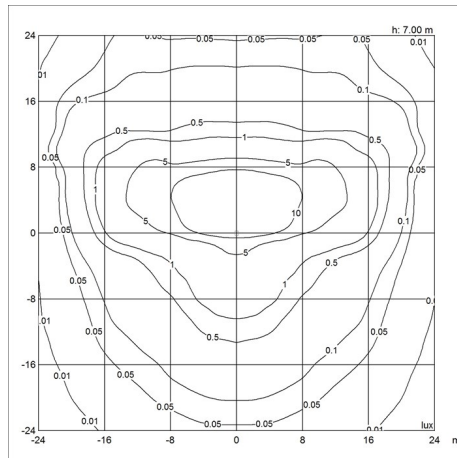
Aluminium colour texture

Light distribution diagrams

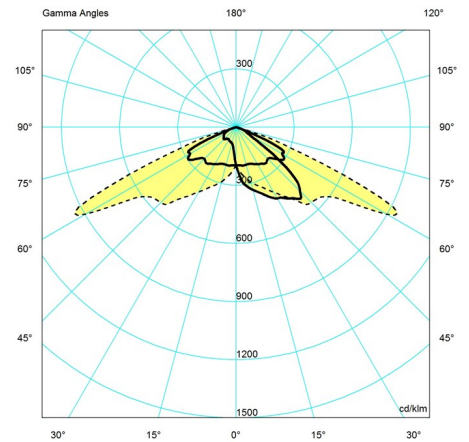
Cartesian



Isolux



Polar



Spare parts & accessories

Product

XPERI TOP SHIELD NUP KIT

Variant number

5747401938