

# Albertslund Wall

The fixture provides characteristic symmetrical and functional lighting. The horizontal ring reflects the light downwards, but its position also allows some light to slip past and illuminate the fixture itself. The anti-glare ring prevents from horizontal glare, and the diffuser is available either as clear or partly frosted glass, depending on the desired light source.



## Jens Møller-Jensen

Jens Møller-Jensen was born and raised in Copenhagen. In 1955, he finalized his exam as a medical and technical instrument engineer and in 1964, he graduated as an architect from the Royal Danish Academy of Fine Arts, Copenhagen.



Vilhelmsborg



Private residence, Sipoo

## Product info

### Environmental Product Specification

This product is compliant with the requirements contained in the European Directives, RoHS Directive 2011/65 and 2015/863. This product is designed so that 100% of the product can be disassembled and reused.

### Information

The control gear is placed in the wall box. Please note that the top, wall box and arm appears in natural aluminium surface for the versions with galvanised shades. Both natural aluminium and galvanised surfaces will oxidize during time. This can result in an inconsistent surface finish during oxidation. This process might have begun already during stocking/transportation.

### Mounting

Terminal block: 1x3x2.5mm<sup>2</sup>. Cable entries: 2x rear entries for cable Ø 10-14.5mm and 2x bottom knockouts Ø 15mm. Looping: Approved, max. 3x1,5mm<sup>2</sup>. Ballast positioning: In wall box.

### Finish

Galvanized, grey or white, powder coated.

### Materials

Enclosure: Clear glass or partly frosted glass. Saturn ring: Punched aluminium or galvanized, punched steel. Anti glare ring: Spun aluminium or galvanized, extruded steel. Housing: Die cast aluminium. Wall box: Die cast aluminium. Arm: Extruded aluminium.

### Sizes and weights

Width x Height x Length (mm) | 415 x 220 x 270 Max 3.2 kg | 515 x 220 x 270 Max 3.3 kg

### Class

Ingress protection IP44. Electric shock protection I w. ground. IK06.

### Specification notes

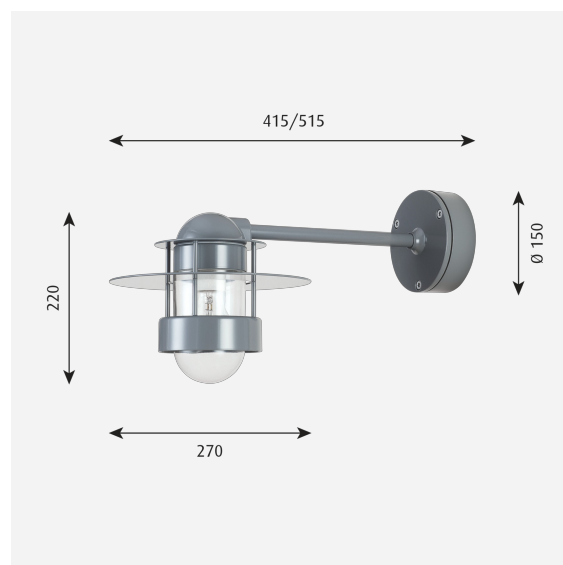
TC-TEL version is supplied with partly frosted glass enclosure to avoid undesirable glare. Incandescent version is supplied with clear glass enclosure. The innovation of light sources is ongoing. Consequently we only inform about the max. wattages. On [www.louispoulsen.com](http://www.louispoulsen.com) we update a list of recommendable light sources.

### Light source

1x100W E27

### Information

The control gear is placed in the wall box. Please note that the top, wall box and arm appears in natural aluminium surface for the versions with galvanised shades. Both natural aluminium and galvanised surfaces will oxidize during time. This can result in an inconsistent surface finish during oxidation. This process might have begun already during stocking/transportation.



## Product family



Albertslund Maxi Post



Albertslund Mini Post



Albertslund Maxi LED Upgrade Kit



Albertslund Mini LED Upgrade Kit

## Product variants

Colour	Arm type	Light source	Shield
<input type="radio"/> Galvanized	LONG	1x100W E27	CLEAR
<input checked="" type="radio"/> Grey	SHORT	1x18W TC-TEL GX24q-2 HF	PART FROSTED
<input type="radio"/> White			

# Product description

The design is based on an anti-glare ring and a circular disc carried by four struts.

Different colour variants.

Member of a family.

---

## Mounting

Terminal block: 1x3x2,5mm<sup>2</sup>.

Cable entries: 2x rear entries for cable Ø 10-14,5mm and 2x bottom knockouts Ø 15mm.

Looping: Approved, max. 3x1,5mm<sup>2</sup>.

Ballast positioning: In wall box.

---

## Light description

The fixture provides characteristic symmetrical and functional lighting.

The disc reflects the light downwards, but its position also allows some light to slip past and illuminate the fixture itself.

The disc directs the main part of the light downwards and outwards and a small part upwards.

The anti-glare ring and the disc provides a nice play of light and shadow on the wall.

The anti-glare ring prevents from horizontal glare.

Provides vertical light for people to feel safe and comfortable.

The fixture design is identifiable when the light is on.

---

## Design

Jens Møller-Jensen

---

## Material

Mounting box: EU: Die-cast aluminium mounting box with white or grey powder coated finish or satin brushed finish for galvanized variant. US: Die-cast aluminium mounting box with white powder coated finish or satin brushed finish for galvanized variant.

Arm: EU: Extruded aluminium straight arm with white or grey powder coated finish or extruded steel hot dip galvanized. US: Extruded aluminium straight arm with white powder coated finish or extruded steel hot dip galvanized.

Die-cast aluminum top: EU: with white or grey powder coated finish or brushed. US: with white powder coated finish or satin brushed finish for galvanized variant or stainless steel.

Struts: EU: Stainless steel with white or grey powder coated finish or hot deep galvanized. US: Stainless steel with white powder coated finish or hot deep galvanized.

Horizontal ring: EU: Die cut aluminium with white or grey powder coated finish or die cut steel hot deep galvanized. US: Die cut aluminium with white powder coated finish or die cut steel hot deep galvanized.

Anti-glare ring: EU: Spun aluminium with white or grey powder coated finish or extruded steel hot deep galvanized. US: Spun aluminium with white powder coated finish or extruded steel hot deep galvanized.

Enclosure: Glass made in one piece, clear or partly frosted glass.

---

## Weight

Min: 2.198 kg Max: 3.296 kg

---

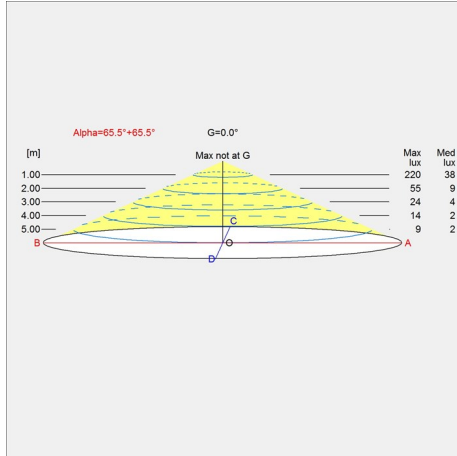
## Finish

Galvanized, Grey, White

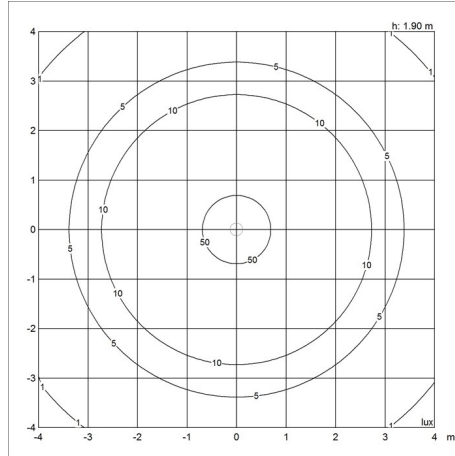
---

# Light distribution diagrams

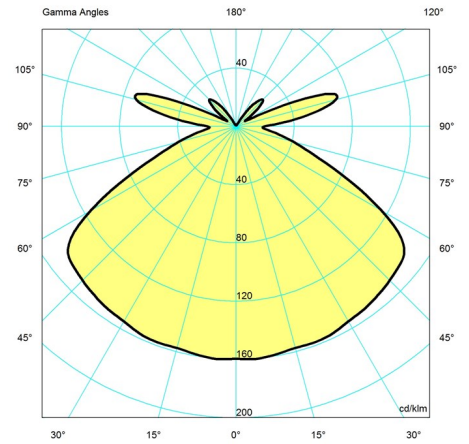
Cartesian



Isolux



Polar



## Spare parts & accessories

Product	Variant number
ALB.P/W/C B., GLASS CLEAR	5743590568
ALB.P/W/C, GLASS OPAL	5743590571
ALB.P/W/C B., GLASS FROST	5743590717
ALB.P/W/C, GLASS PART FROST	5743590814