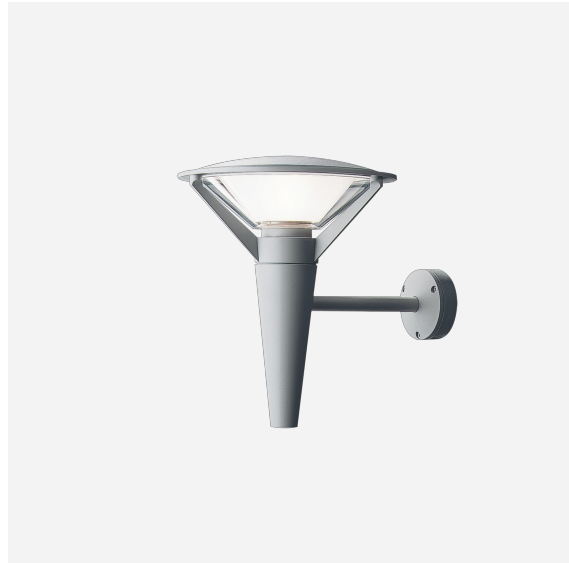


# Kipp Wall

The fixture emits symmetrical light directed downward. The relation between the slightly curved top shade and the angle of the inner opal diffuser ensures a wide non glare light distribution.



## Alfred Homann

Alfred Homann grew up in South Zealand, Denmark. In 1976, he graduated as an architect from the Royal Danish Academy of Fine arts in Copenhagen.



Premier Inn  
Matsuyama



Rancho Mirage Medical Center, Rancho  
Mirage, CA

## Product info

### Environmental Product Specification

This product is compliant with the requirements contained in the European Directives, RoHS Directive 2011/65 and 2015/863. This product is designed so that 100% of the product can be disassembled and reused.

### Information

Delivered with integrated Surge Protection Device (SPD). Driver located in the conical fixture housing. The innovation of the LED technology is constant. The specifications mentioned are based on present technology.

### Mounting

Terminal block: 1x3x2.5mm<sup>2</sup>. Cable entries: 2x rear and 2x bottom entries, Ø 20mm. Looping: Approved, max. 3x1,5mm<sup>2</sup>.

### Finish

Aluminium coloured with textured surface or graphite grey, powder coated.

### Materials

Diffuser: Injection moulded white opal acrylic. Top shade: Die cast aluminium. Enclosure: Injection moulded clear polycarbonate. Frame: Die cast aluminium. Wall box: Die cast aluminium. Arm: Extruded aluminium.

### Sizes and weights

Width x Height x Length (mm) | 440 x 540 x 605 Max 7.3 kg

### Class

Ingress protection IP55. Electric shock protection I w. ground. IK10.

### Light source

LED 3000K 28W

Lumen: 1454

### Information

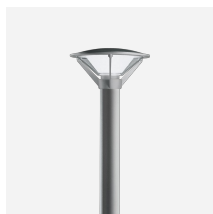
Delivered with integrated Surge Protection Device (SPD). Driver located in the conical fixture housing. The innovation of the LED technology is constant. The specifications mentioned are based on present technology.



## Product family



Kipp Post



Kipp Bollard



Kipp LED Upgrade Kit

## Product variants

### Colour

- Aluminium colour texture
- Graphite grey

### Light source

- LED 3000K 28W
- LED 4000K 28W

# Product description

Cone-shaped fixture head carried on a conical console with a frame with three arms.

Opal diffuser inside a clear enclosure.

Wall arm fixed into the conical console.

Top shade is curved with a flat edge.

Entire fixture head is removable for easy access to lamp and components.

Terse design suitable for both modern and classic design.

Different colour variants.

The console serves as heat sink.

Part of a family.

---

## Mounting

EU:

Terminal block: 1x3x2.5mm<sup>2</sup>.

Cable entries: 2x rear and 2x bottom entries, Ø 20mm.

Looping: Approved, max. 3x1,5mm<sup>2</sup>.

US:

Back plate dimension: 10.8" diameter. Mounts over outlet box. Requires 3 x 1/4" bolts and anchors or similar hardware suitable for wall material (not provided). Caulking required between wall and back plate for wet locations (not provided).

LED version: Electronic constant current, class II driver for 120-277V operation and 0-10V dimming control mounted inside arm on aluminium bracket.

Metal halide version with core-and-coil style ballast (120/277V) mounted inside pole.

Socket (metal halide): Porcelain, medium base for ED-17 or G12 bipin for T6, clear envelope lamps.

---

## Light description

The fixture emits symmetrical glare-free light directed downwards and outwards.

The angle of the opal diffuser together with the clear enclosure ensures a wide band of glare-free, uniform lighting.

Provides a high level of vertical light for people to feel safe and comfortable.

Functional and pleasant lighting comfort.

The fixture design is identifiable when the light is on.

LED technology with more options of standard CCTs.

---

## Design

Alfred Homann

---

## Material

Top shade: EU: Die-cast aluminium. Colour: aluminum textured powder coating or graphite grey powder coating. US: Die-cast aluminium with white, aluminum or black powder coating. High reflectance white painted underside.

Frame with three arms: EU: Die-cast aluminium. Colour: aluminum textured powder coating or graphite grey powder coating. US: Die-cast aluminium. Die-cast aluminium with white, aluminum or black powder coating.

Console: EU: Die-cast aluminium. Colour: aluminum textured powder coating or graphite grey powder coating. US: Die-cast aluminium. Die-cast aluminium with white, aluminum or black powder coating.

Arm: EU: Extruded aluminium. Colour: aluminum textured powder coating or graphite grey powder coating. US: Extruded aluminium. Die-cast aluminium with white, aluminum or black powder coating.

LED enclosure of sandblasted glass for improving uniformity of the light on the internal diffuser.

Internal conical diffuser: Injected moulded opal acrylic.

Enclosure: Vandal resistant injection moulded U. V. stabilized clear polycarbonate.

Wall box/plate: EU: Die-cast aluminium. Colour: aluminum textured powder coating or graphite grey powder coating. US: Die-cast aluminium. Die-cast aluminium with white, aluminum or black powder coating.

---

## Weight

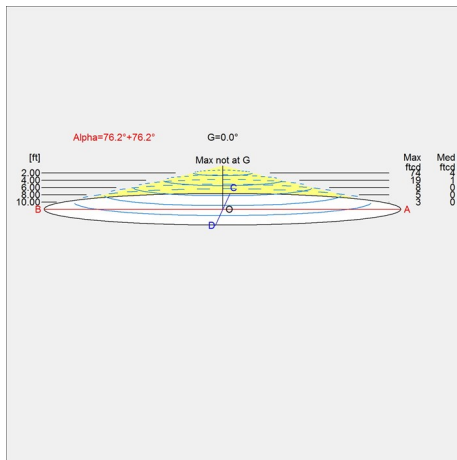
Min: 6.296 kg Max: 7.321 kg

# Finish

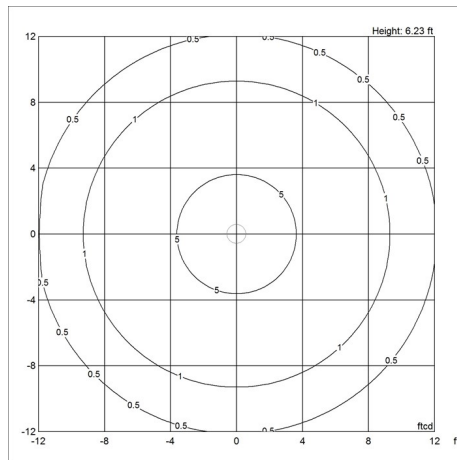
Aluminium colour texture, Graphite grey

# Light distribution diagrams

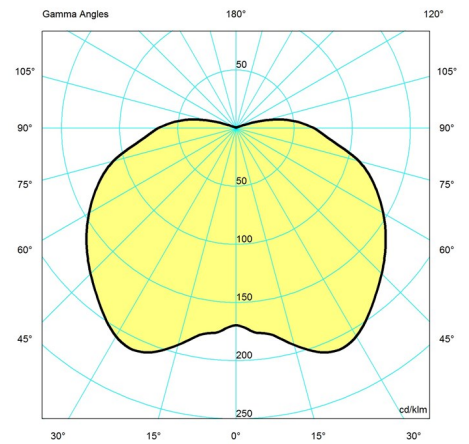
### Cartesian



### Isolux



### Polar



# Spare parts & accessories

## Product

Kipp Ø440 diffuser inner opal conical

Kipp Ø440 diffuser clear polycarbonate

## Variant number

5747815870

5747815906